

## Addendum to the Instructions: Improved Accessory Tray and Bracket for Tripod

#9011 EQ-1 Equatorial Mount, #9020 & 9046 Observer 60 AZ, #9028 & 9048 Observer 60 EQ,  
#9801 Observer 70 AZ, #9802 Observer 70 EQ

During recent production of our Observer telescopes and EQ-1 Equatorial Mount, we developed an improved design for the tripod's accessory tray and bracket. This gives the tripod a stronger center support for added stability. The new design also allows quicker and more convenient set-up and takedown of the tripod. The accessory tray now has more area to store accessories and has a retaining wall to prevent items from slipping off. Another new feature is that the tripod can be used without the accessory tray attached, which may be desirable for the quickest of observing sessions.

This addendum will detail how to assemble the tripod with the new accessory tray and bracket. Some units come with the accessory tray bracket already attached to the tripod legs; for these units, ignore Step 3 below. Besides the assembly of the tripod, the rest of the instruction manual provided with your telescope and/or mount will apply.

To assemble the tripod with the new accessory tray and bracket:

1. Lay the equatorial or altazimuth mount on its side. Attach the tripod legs, one at a time, to the base of the mount by sliding a tripod leg attachment screw through the top of a leg and through the holes in the base of the mount. The washers should be on the outside of the tripod legs. Secure the wing nuts finger-tight. Note that the accessory tray bracket attachment point on each leg should face inward (see Figure 1).

2. Install and tighten the leg lock knobs on the bottom braces of the tripod legs. For now, keep the legs at their shortest

(fully retracted) length; you can extend them to a more desirable length later, after the tripod is completely assembled.

3. With the tripod legs now attached to the mount, stand the tripod upright (be careful!) and spread the legs apart enough to connect each end of the accessory tray bracket to the attachment point on each leg. Use the screw and lock nut that come installed in each attachment point to do this. First, remove the screw using the supplied screwdriver and triangular assembly tool; hold the lock nut with the triangular assembly tool while turning the screw with the screwdriver (see Figure 2). Then, line up one of the ends of the bracket with the attachment point and reinstall the screw. Make sure the end of the accessory tray bracket is oriented as shown in Figure 2.

4. Now, with the accessory tray bracket attached, spread the tripod legs apart as far as they will go, until the bracket is taut. Connect the accessory tray to the accessory tray bracket with the three wing screws already installed in the tray. This is done by pushing the wing screws up through the holes in the accessory tray bracket and threading them into the holes in the accessory tray.

5. Next, tighten the screws at the tops of the tripod legs, so the legs are securely fastened to the mount. Use the provided screwdriver and your fingers to do this.

The tripod is now assembled. Follow the rest of the instructions in the manual to finish assembling the telescope and/or mount.

Figure 1

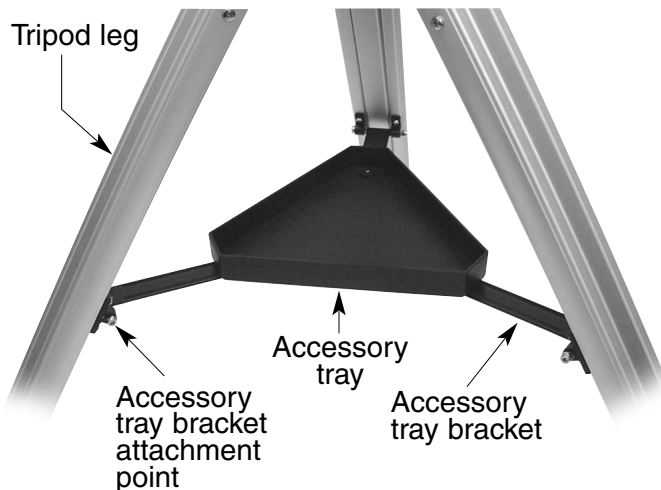
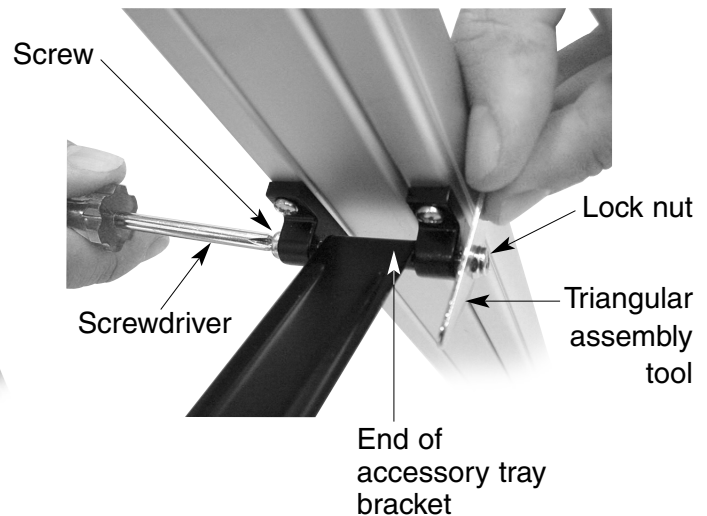


Figure 2



 **ORION**  
**TELESCOPES & BINOCULARS**  
*Providing Exceptional Consumer Optical Products Since 1975*

**Customer Support (800) 676-1343**  
**E-mail: [support@telescope.com](mailto:support@telescope.com)**

Corporate Offices (831) 763-7000  
P.O. Box 1815, Santa Cruz, CA 95061